

CE-P

150T-550T

HIGH-END ELECTRIC MULTI-COMPONENT
INJECTION MOLDING MACHINE

Intelligence, Precision, Efficiency, Flexible combination



Yizumi Precision Molding Technology Co., Ltd.

Address: No.12 Shunchang Road, Shunde, Foshan, Guangdong 528300, China
TEL: 86-757-2921 9764 86-757-2921 9001(overseas) Email: imm@yizumi.com
www.yizumi.com

[DISCLAIMER]

- [1] YIZUMI reserves the right to modify the product description in the catalogue. Specification might be changed without prior notice.
 - [2] The picture in the catalogue is for reference only. The real object should be considered as final.
 - [3] The data in the catalogue is obtained from internal testing in YIZUMI laboratory.
- Please refer to the actual machine for the final data. YIZUMI reserves the right of final interpretation upon disputes and ambiguities.



THINK TECH FORWARD

GREEN ENERGY SUSTAINABLE DEVELOPMENT

CE-P Series IMM, lower carbon emission!

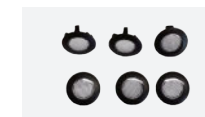
CE-P PRODUCT DETAILS



Auto interior plating component



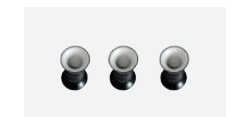
Auto logo



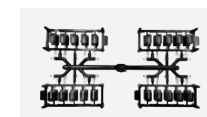
Auto optical parts



Auto silicone connectors



Automotive pipeline connectors



Electronic buttons



Automotive center console panel



Strobe light cover



Medical consumables



Silicone collapsible lunch box

CE-P SERIES ELECTRIC MULTI-COMPONENT IMM WITH WIDE PLATEN & PARALLEL INJECTION UNIT

Three major customer value propositions:



<0.3%

Repeatability of clamping force <0.3%

<0.05

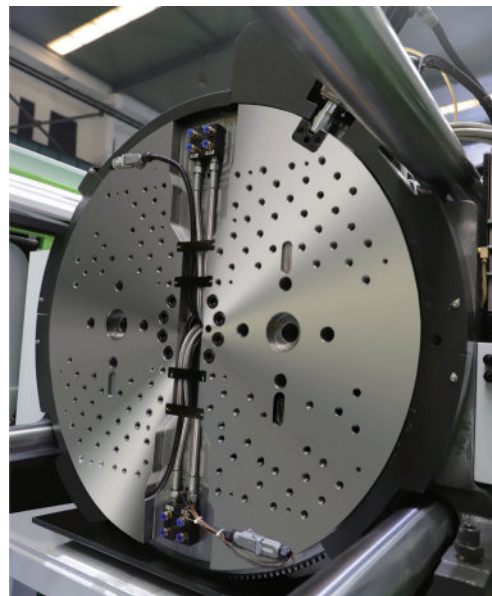
Platen parallelism (with load) <0.05mm

±0.03

Repeatability of mold opening/closing positions ±0.03mm



Clamping Unit



Reliable and stable with fast rotating speed, accurate turntable positioning

Based on European platen design concept, platens are designed with higher rigidity and more accurate force analysis. The BFC (balanced force clamping) technology can adjust the clamping force transmission direction so that the force is applied to the mold more evenly and injection molding is more precision and stable;

Third-generation intelligent control technology on turntable, faster rotating speed, more accurate positioning, more durable and reliable.

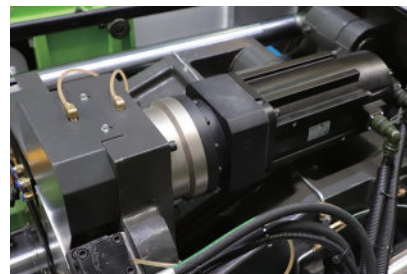
Balanced force clamping technology

The BFC technology delivers high platen rigidity, long mold life. Easily-adjustable processes and minimized possible flashes and better ensures molding accuracy and stability.



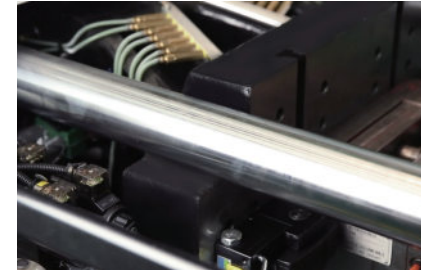
Third-generation intelligent digital closed-loop positioning control (DCPC) technology

With the digital closed-loop positioning technology, turntable positioning is faster, more stable and accurate.



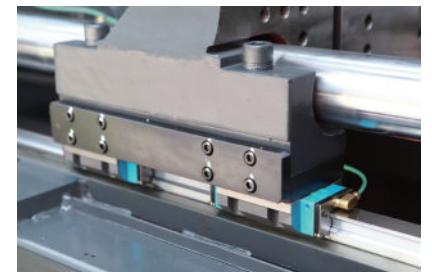
Clean and wear-resistant TBF (Tie Bar Free) technology

- ▶ The clamping unit adopts the TBF (Tie Bar Free) technology, wear-resistant tie bars;
- ▶ Clean mold area, no contamination to products.



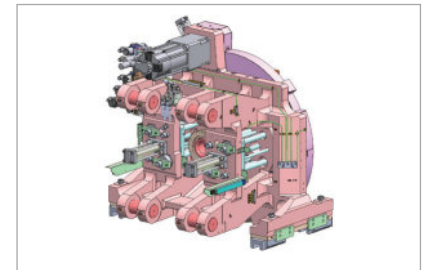
Linear rail design for mold opening / closing

- ▶ The directional accuracy reaches 0.02mm;
- ▶ Fast mold opening/ closing, low energy consumption, no contamination.



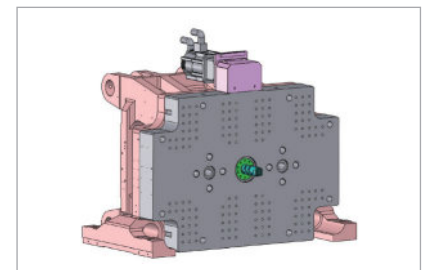
Independent left and right single cylinder ejector design

Even force for mold releasing. Achieve simultaneous ejection with mold opening, in-mold cutting, and other functions. Diversified ejector forward and backward modes. Allow multi-stage ejection. Ejector position accuracy up to 0.2mm, which is conducive to product precision and repeatability. Hydraulic ejection compatible with core pull application.



Optional rotary shaft module/ turntable shaft integration module

Based on CE-BTP series, movable platen can be equipped with optional rotary shaft to meet the process requirement for mold core rotation of dual-color products; it can also be equipped with a turntable shaft integration module for compatibility with the requirements of mold rotation and core rotation process.

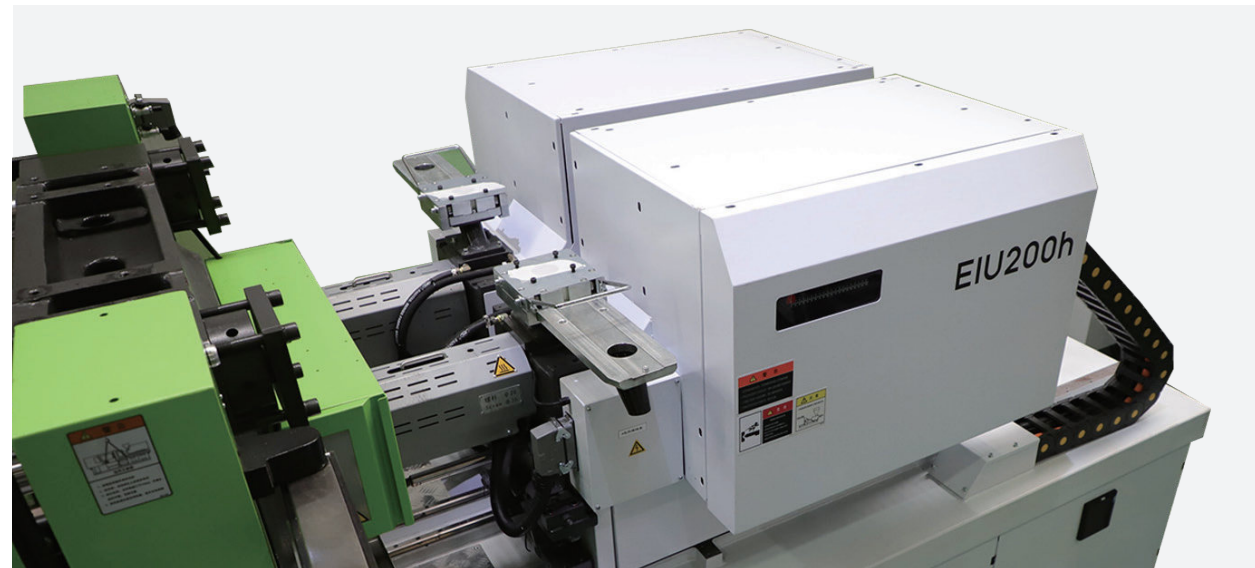


Intelligent low-pressure mold protection

It can detect very small obstacles and resistance; limit mold damage when there is foreign objects in the cavity or faulty operation occurs



Injection Unit

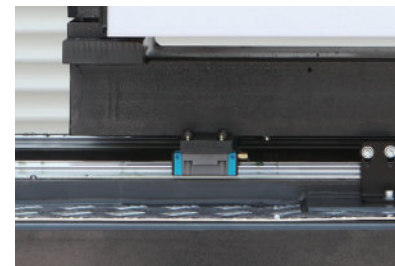


High injection repeatability

The use of the world's leading position sensors with 2 million CPR resolution provides reliable support for ultra-high precision position and speed control; High-precision linear guide support significantly reduces the friction of the plasticizing unit, providing improved pressure stability of plasticizing and injection. Combined with special screws for different materials and precise temperature control, it further improves the stability of injection and allows the product weight repeatability to reach 1%.

Advanced LGS (Linear Guide Support) technology

Integrated design enhances the overall rigidity of the injection unit; No unnecessary friction. Fast forward and backward.



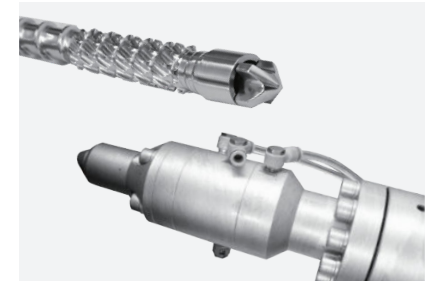
High-mix non-stick plasticizing screw design

By adopting optimized mixing parameters design, high efficiency of plasticizing and better mixing effect can be ensured. Also, problems of sticking, yellowing and blackening can be solved.



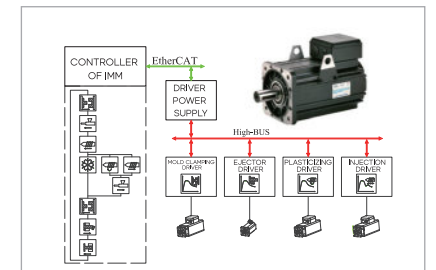
Optional barrel unit for LSR

- ▶ The front end of special silicone mixing screw is equipped with high capacity mixing injection to ensure that materials A and B are fully mixed and eliminate resin build ups, yellowing, and darkening problems.
- ▶ To adapt to the high fluidity of silicone, highly-sensitive sealing is used to minimize leakage during injection start-up and injection process.
- ▶ Add leakage-proof design at the end of screw to prevent silicone leaking from the end of screw, which will cause material waste and unstable injection.
- ▶ Employ a water-cooled pneumatic injection nozzle to prevent leakage of hydraulic silicone and transferring of mold temperature to the injection nozzle, causing curing reaction of mixed hydraulic silicone inside the nozzle.



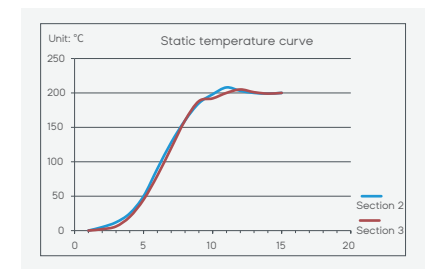
Unique servo direct control (SDC) technology

- ▶ Process algorithm independently developed by YIZUMI for the servo drive;
- ▶ Servo motor controls injection and plasticizing independently, allowing faster feedback, more responsive control, and improved control accuracy;
- ▶ More precise control of speed, position and pressure to meet the requirements of precision equipment.



New-generation PID temperature control

With the self-adaptive PID temperature control, the static temperature control accuracy is up to $\pm 0.4^{\circ}\text{C}$.



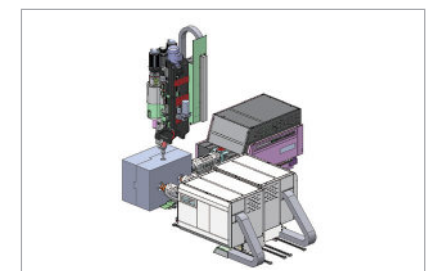
Low-carbon temperature control technology

Scientific low-carbon insulation technology, combined with precise temperature control and shear heating control of materials, offers remarkable energy saving.



Flexible manufacturing technology

Integration of multi-process software and intelligent control technology, combined with a wide range of modular combinations of injection units, provide outstanding manufacturing advantages for different application scenarios, products, and processes.



Control System

Intelligent, integrated, user-friendly HMI

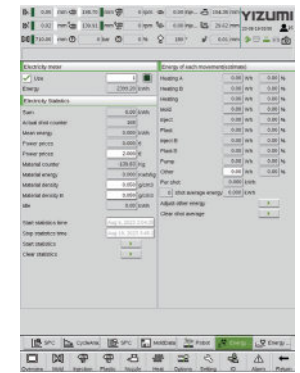
Austrian high-performance controller – with intelligent functions, multi-processes integrated, visual curve, statistical analysis, user-friendly HMI and fast response, provide the best control system solution for CE-P series!

- ▶ Synchronously controlled by double CPUs, it only takes 1ms to scan, ensuring the computing time of every movement of the injection unit is limited to 1ms;
- ▶ The turntable/ rotary shaft positioning is more accurate with the use of synchronous communication technology and servo closed-loop positioning technology;
- ▶ Closed temperature loop control, more accurate control on temperature;
- ▶ Standard 15 inch HD color touchscreen display with clear and neat screen layout;
- ▶ Real-time remote control and operation;
- ▶ USB port for extension of mold parameter storage, easy and convenient operation;
- ▶ Statistical process control (SPC) for multiple injection units;
- ▶ Multi-level of user access management and data protection to ensure data security;
- ▶ Setup and tracking of key movement curves;
- ▶ Expandable I/O modules allow integration of more features, e.g. built-in hot runner control and sequence valve;
- ▶ Flexible software functions, multiple and various injection units to meet flexible needs.



Precision energy consumption analysis

Optional smart meter for machine energy consumption monitoring and analysis. The results can be displayed on computer screen.



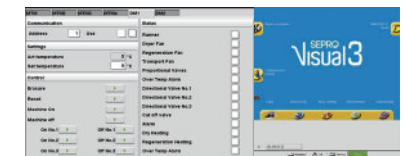
Intelligent clamping management system

Optional intelligent clamping force function allows real-time display and optimization of machine's actual clamping force, helping save energy, improve product stability and protect molds. Automatic optimization of process parameters is available.



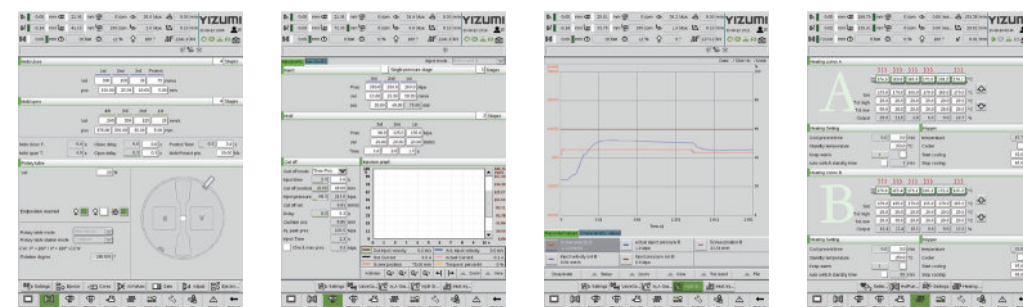
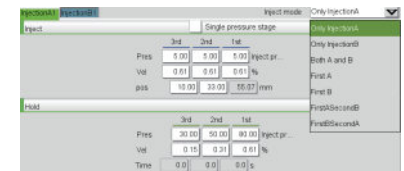
Flexible, interconnected, integrated

Through OPC UA, RS485, or other international standard interfaces to realize seamless connection with robot, mold temperature controller, MES, and other auxiliary machines or management systems, providing an open, compatible, integrated system for IoT.



Integration of multi-process software

Based on the diverse needs of industry applications, continuously updated process software system will provide users with a wider range of more flexible manufacturing options.



L/V Independent Injection Unit

Flexible combination for wider range of applications

Meet the combination needs of injection molding machines of different tonnages and different brands through modular design. Quickly build a dual-component injection molding machine.

Independent V injection unit

Independent V-type injection unit adopts independent modular design to meet the combination needs of injection molding machines of different tonnages. With YIZUMI's optimization design, the removal of the injection unit provides more mold height for convenient installation and disassembly.

Independent L injection unit

Independent L-type injection unit adopts independent modular design to meet the combination needs of injection molding machines of different tonnages and different brands. Flexible injection unit is convenient for using, providing series functions including core pulling, sequential valve, hot runner and synchronous action.

User-friendly design for ease of use

The computer operating platform uses a detachable design that allow customer to determine the operating position flexibly according to user habits.

Adjust the application range of the independent injection unit using the hand wheel to accommodate molds of different sizes.



- ① Independent V injection unit
- ② Independent industrial controller
- ③ Adjustable handwheel of independent injection unit
- ④ Independent L injection unit

Compact design for easy storage

The independent injection unit can be equipped with the optional roller for easy migration and storage of the injection unit.



Optional needle valve control

The independent injection unit can render needle valve control to either the primary injection element or the secondary injection unit to compensate inadequate configuration of the main unit.



Optional hydraulic core-pull function (for hydraulic injection unit)

The core-pull and control effect for mold control driven by the independent injection unit is the same as the control effect provided by a main unit that comes with core-pull.



Optional hot runner

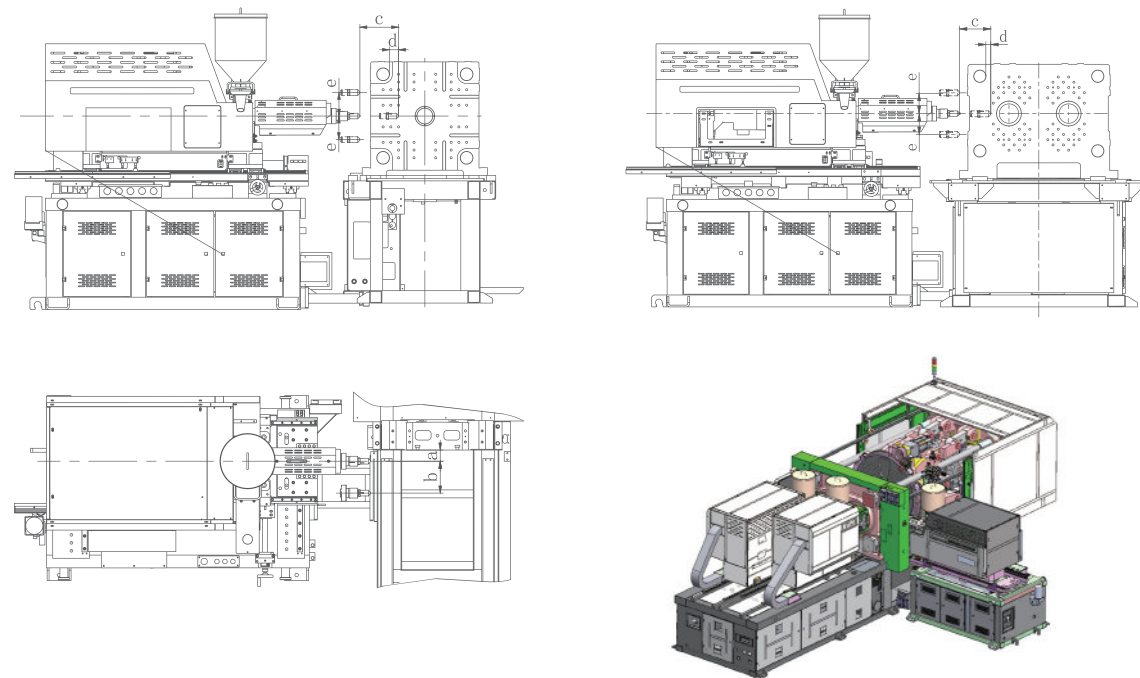
The independent injection unit is equipped with a computer that can help to achieve extended control over 6-32 sets of hot runners to meet the molding needs of multiple hot runners.



L Independent Injection Unit

L-type injection unit configuration

Specifications	a/mm	b/mm	c/mm	d/mm	e/mm
EIU170(h)/L	70	Standard 100	FF90-120: 250	FF90-160: 60	±5
EIU200(h)/L	70	Optional 300	FF160-240: 300	FF200: 70	
EIU320(h)/L	80	Note: when the mold thickness is too small, close to the minimum mold thickness of the corresponding tonnage, b will make adjustments according to customer needs.	FF300-650: 350	FF240-300: 80	
EIU430(h)/L	80		150CE-BTP: 250	FF380-460: 90	
EIU670(h)/L	80		230-280CE-BTP: 300	FF550-650: 100	
EIU930(h)/L	110		360-550CE-BTP: 350	150CE-BTP: 60	
EIU1350(h)/L	110		230-280CE-BTP: 70	360-550CE-BTP: 80	



Combination of L-type electric injection unit

Model	FF90	FF120	FF160	FF200	FF240	FF300	FF380	FF460	FF550	FF650	UN150 CE-BTP	UN230 CE-BTP	UN280 CE-BTP	UN360 CE-BTP	UN550 CE-BTP
EIU170(h)/L	Green	Green	Green	Optional	Optional	Optional	Optional	Optional	Optional	Optional	Green	Optional	Optional	Optional	Optional
EIU200(h)/L	Green	Green	Green	Green	Optional	Optional	Optional	Optional	Optional	Optional	Green	Optional	Optional	Optional	Optional
EIU320(h)/L	Green	Green	Green	Green	Green	Optional	Optional	Optional	Optional	Optional	Green	Green	Green	Optional	Optional
EIU430(h)/L	Green	Green	Green	Green	Green	Green	Green	Optional	Optional	Optional	Green	Green	Green	Green	Optional
EIU670(h)/L	Green	Green	Green	Green	Green	Green	Green	Green	Optional	Optional	Green	Green	Green	Green	Green
EIU930(h)/L	Green	Green	Green	Green	Green	Green	Green	Green	Green	Green	Green	Green	Green	Green	Green
EIU1350(h)/L	Green	Green	Green	Green	Green	Green	Green	Green	Green	Green	Green	Green	Green	Green	Green

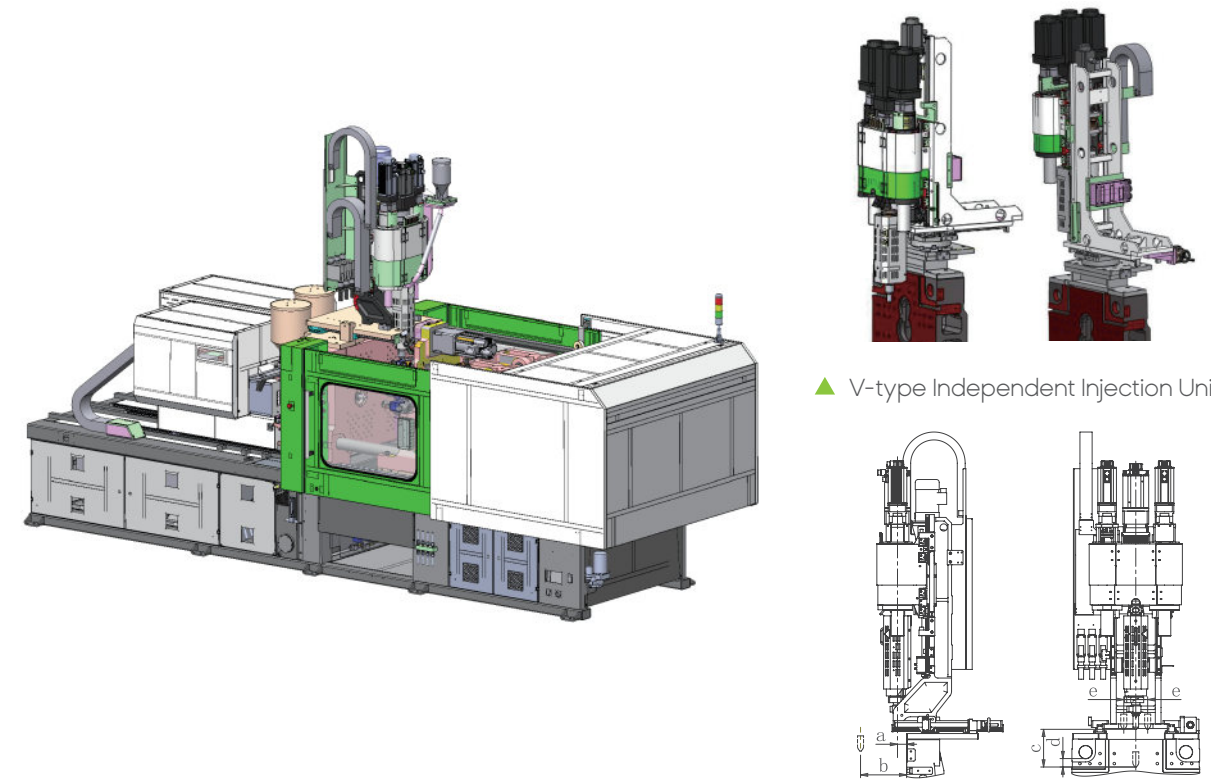
Note: Refer to the CE-P series for the parameters of the L-type all-electric injection unit. The section with green background contains the conventional injection units available for each tonnage. Other injection units offered as special options may be selected according to the needs of actual products.

Disclaimer:
 1. All data on this page are provided by YIZUMI factories. Actual numbers for custom machines may vary.
 2. The product images and text content displayed in the pages above are for illustration only. The actual product (including but not limited to its appearance, color, and dimensions) may vary slightly.

V Independent Injection Unit

V-type injection unit configuration

Specifications	a/mm	b/mm	c/mm	d/mm	e/mm
EIU2-50(h)/V	70	220 Note: when the mold thickness is too small, close to the minimum mold thickness of the corresponding tonnage, b will make adjustments according to customer needs.	FF90-160: 250 FF200-300: 300 FF380-650: 350	FF90-160: 60 FF200: 70 FF240-300: 80 FF380-460: 90 FF550-650: 100	±5
EIU2-140(h)/V	80		150CE-BTP: 250 230-280CE-BTP: 300 360-550CE-BTP: 350	150-550CE-BTP: 50	
EIU2-350(h)/V	80				



▲ V-type Independent Injection Unit

Combination of V-type electric injection unit

Model	Injection unit														
	FF90	FF120	FF160	FF200	FF240	FF300	FF380	FF460	FF550	FF650	UN150 CE-BTP	UN230 CE-BTP	UN280 CE-BTP	UN360 CE-BTP	UN550 CE-BTP
EIU2-50(h)/V															
EIU2-140(h)/V															
EIU2-350(h)/V															

Disclaimer:
 1. All data on this page are provided by YIZUMI factories. Actual numbers for custom machines may vary.
 2. The product images and text content displayed in the pages above are for illustration only. The actual product (including but not limited to its appearance, color, and dimensions) may vary slightly.

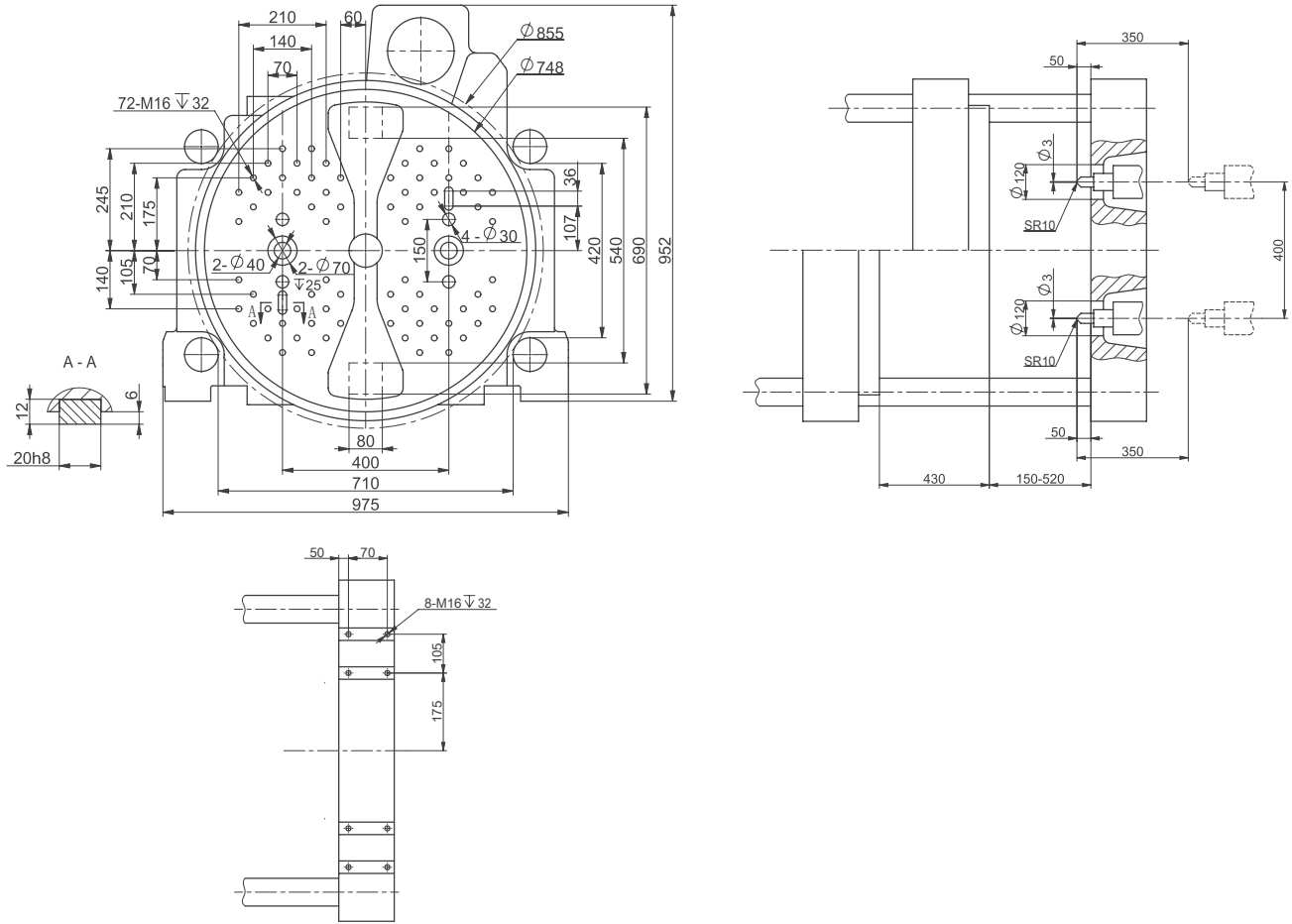
Specifications of V-type Electric Injection Unit

DESCRIPTION	UNIT	EIU2-50		EIU3-140				EIU4-350				EIU2-50HS		EIU3-140HS				EIU4-350HS					
Specifications		50		140				350				50		140				350					
INJECTION UNIT																							
Screw diameter	mm	19	22	26	22	26	30	35	30	35	40	48	19	22	26	22	26	30	35	30	35	40	48
Screw L/D ratio	L/D	20	20	20	20	20	20	20	20	20	20	20	20	20	20	20	20	20	20	20	20	20	20
Theoretical shot volume	cm ³	21.3	28.5	39.8	38.0	53.1	70.7	96.2	99.0	134.7	175.9	253.3	21.3	28.5	39.8	38.0	53.1	70.7	96.2	99.0	134.7	175.9	253.3
Shot weight	gram	20	26	37	35	49	65	89	91	124	162	233	20	26	37	35	49	65	89	91	124	162	233
Injection pressure	MPa	250	186	134	250	266	200	147	250	260	200	139	250	186	134	372	266	200	147	250	260	200	139
Max. injection speed	mm/s	150		120				120				250		240				200					
Injection rate	cm ³ /s	43	57	80	46	64	85	115	85	115	151	217	71	95	133	91	127	170	231	141	192	251	362
Screw speed	r/min	0~400		0~400				0~300				0~500		0~400				0~300					
Screw stroke	mm	75		100				140				75		100				140					
Nozzle contact force	kN	20		30				35				20		30				35					
POWER UNIT																							
Injection servo motor	kW	3×2		4×2				5.5×2				4×2		5.5×2				7.5×2					
Plasticizing servo motor	kW	5.5		7.5				7.5				5.5		7.5				7.5					
Carriage deceleration motor	kW	0.75		0.75				0.75				0.75		0.75				0.75					
Heating capacity	kW	3.5	4.5	5.5	4.5	5.5	6	7	6	7	8	10	3.5	4.5	5.5	4.5	5.5	6	7	6	7	8	10
Number of temperature control zones		4		4				4				4		4				4					

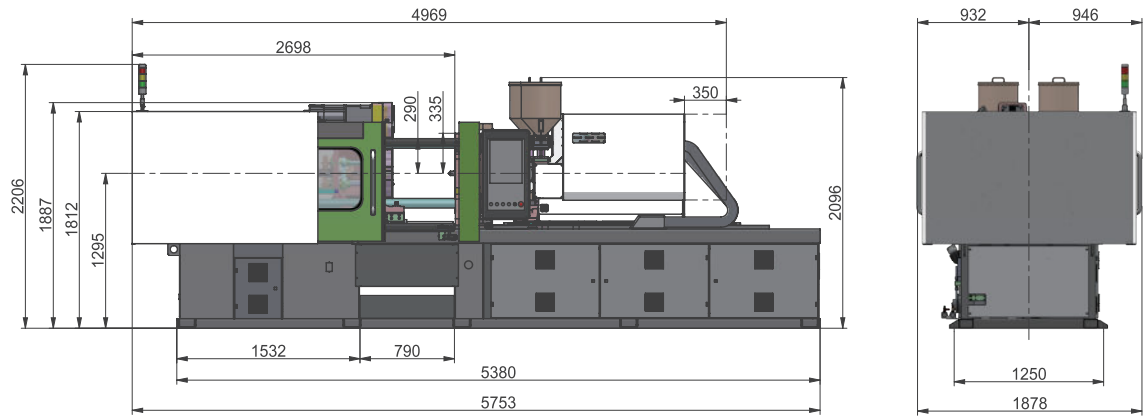
Specifications of UN150CE-BTP

DESCRIPTION		UN150CE-BTP																	
		INJECTION UNIT																	
		Combination 1						Combination 2						Combination 3					
Model	UNIT	IU200/IU200h			IU170/IU170h			IU200/IU200h			IU80/IU80h			IU170/IU170h			IU80/IU80h		
		A	B	C	A	B	C	A	B	C	A	B	C	A	B	C	A	B	C
Screw diameter	mm	26	30	35	22	26	30	26	30	35	19	22	26	22	26	30	19	22	26
Screw L/D ratio	L/D	22	22	20	22	22	22	22	22	20	20	20	20	22	22	22	20	20	20
Screw stroke	mm	140			115			140			95			115			95		
S/D ratio	S/D	5.4	4.7	4.0	5.2	4.4	3.8	5.4	4.7	4.0	5.0	4.3	3.7	5.2	4.4	3.8	5.0	4.3	3.7
Theoretical shot volume	cm ³	74	99	135	44	61	81	74	99	135	27	36	50	44	61	81	27	36	50
Shot weight (PS)	gram	68	91	124	40	56	75	68	91	124	25	33	46	40	56	75	25	33	46
Injection pressure	MPa	266	200	147	377	270	203	266	200	147	280	220	158	377	270	203	280	220	158
Holding pressure	MPa	213	160	118	302	216	162	213	160	118	224	176	126	302	216	162	224	176	126
Injection speed (standard/optional)	mm/s	200/350			200/350			200/350			200/350			200/350			200/350		
Injection rate (standard/optional)	cm ³ /s	106	141	192	76	106	141	106	141	192	57	76	106	76	106	141	57	76	106
Screw speed	rpm	400			400			400			400			400			400		
Nozzle contact force	rpm	20			20			20			20			20			20		
Heating power	kW	5.6	6.9	7.5	4.4	5.6	6.9	5.6	6.9	7.5	4.6	4.8	4.8	4.4	5.6	6.9	4.6	4.8	4.8
		CLAMPING UNIT																	
Clamping force	kN	1500																	
Opening stroke	mm	430																	
Mold thickness	mm	150-520																	
Max. turning diameter	mm	855 (Turntable diameter: 748)																	
Turntable bearing capacity	t	0.7																	
Distance between centers of mold locating holes	mm	400 (Optional: 420)																	
Space between tie bars	mm	710×420																	
Ejector stroke	mm	120																	
Ejector force	kN	38×2																	
		GENERAL																	
Max. system pressure	MPa	16																	
Motor power	kW	10																	
Machine dimensions (L×W×H)	m	5.75×1.88×2.2																	
Machine weight	t	11.5						11.3						11					
Hopper capacity	kg	25	25	25	25	25	25	25	25	25	25	25	25	25	25	25	25	25	25
Oil Tank capacity	L	106																	

Platen Dimensions



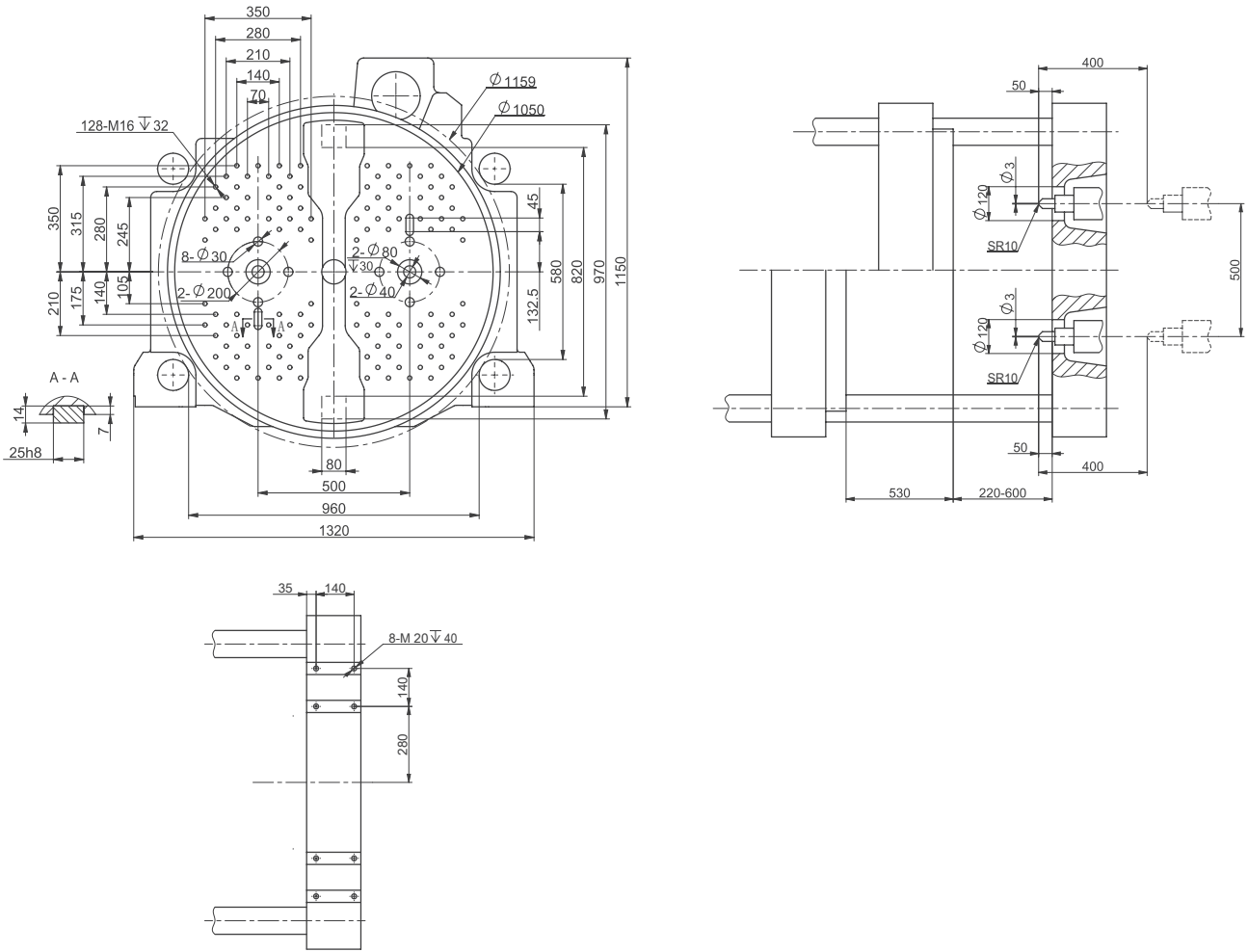
Machine Dimensions



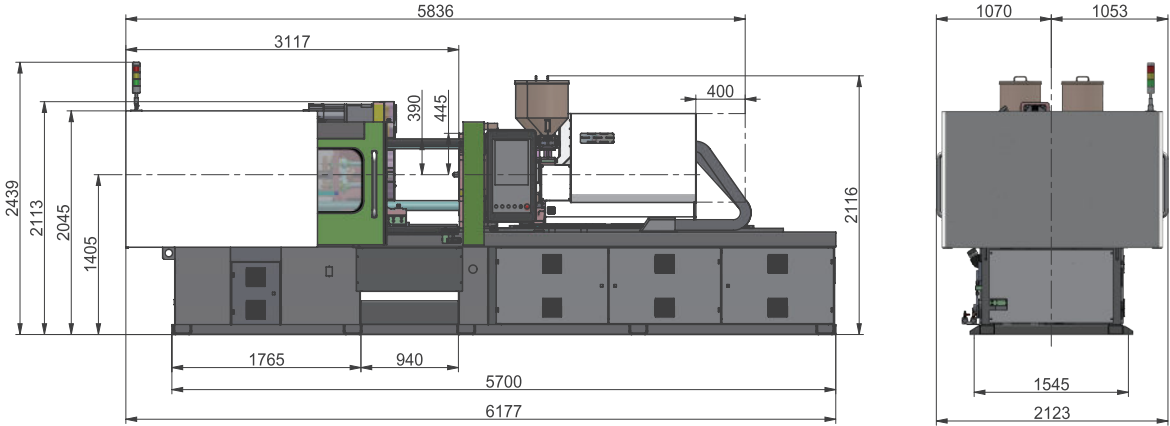
Specifications of UN230CE-BTP

DESCRIPTION		UN230CE-BTP																	
		INJECTION UNIT																	
		Combination 1						Combination 2						Combination 3					
Model	UNIT	IU430/IU430h			IU200/IU200h			IU320/IU320h			IU200/IU200h			IU320/IU320h			IU170/IU170h		
		A	B	C	A	B	C	A	B	C	A	B	C	A	B	C	A	B	C
Screw diameter	mm	35	40	43	26	30	35	30	35	40	26	30	35	30	35	40	22	26	30
Screw L/D ratio	L/D	24	20	20	22	22	20	24	20	20	22	22	20	24	20	20	22	22	22
Screw stroke	mm	170			140			165			140			165			115		
S/D ratio	S/D	4.9	4.3	4.0	5.4	4.7	4.0	5.5	4.7	4.1	5.4	4.7	4.0	5.5	4.7	4.1	5.2	4.4	3.8
Theoretical shot volume	cm ³	164	214	247	74	99	135	117	159	207	74	99	135	117	159	207	44	61	81
Shot weight (PS)	gram	150	197	227	68	91	124	107	146	191	68	91	124	107	146	191	40	56	75
Injection pressure	MPa	261	200	173	266	200	147	272	200	153	266	200	147	272	200	153	377	270	203
Holding pressure	MPa	209	160	138	213	160	118	218	160	123	213	160	118	218	160	123	302	216	162
Injection speed (standard/optional)	mm/s	200/300			200/350			200/350			200/350			200/350			200/350		
Injection rate (standard/optional)	cm ³ /s	192	251	290	106	141	192	141	192	251	106	141	192	141	192	251	76	106	141
Screw speed	rpm	400			400			400			400			400			400		
Nozzle contact force	rpm	40			20			30			20			30			20		
Heating power	kW	8.97			5.6	6.9	7.5	6.9	6.9	7.8	5.6	6.9	7.5	6.9	6.9	7.8	4.4	5.6	6.9
		CLAMPING UNIT																	
Clamping force	kN	2300																	
Opening stroke	mm	530																	
Mold thickness	mm	220-600																	
Max. turning diameter	mm	1159 (Turntable diameter: 1050)																	
Turntable bearing capacity	t	1.5																	
Distance between centers of mold locating holes	mm	500 (Optional: 490)																	
Space between tie bars	mm	960×580																	
Ejector stroke	mm	150																	
Ejector force	kN	42×2																	
		GENERAL																	
Max. system pressure	MPa	16																	
Motor power	kW	10																	
Machine dimensions (LxWxH)	m	6.18×2.12×2.44																	
Machine weight	t	15.1			15						14.6								
Hopper capacity	kg	25	25			25	25			25	25			25					
Oil Tank capacity	L	106																	

Platen Dimensions



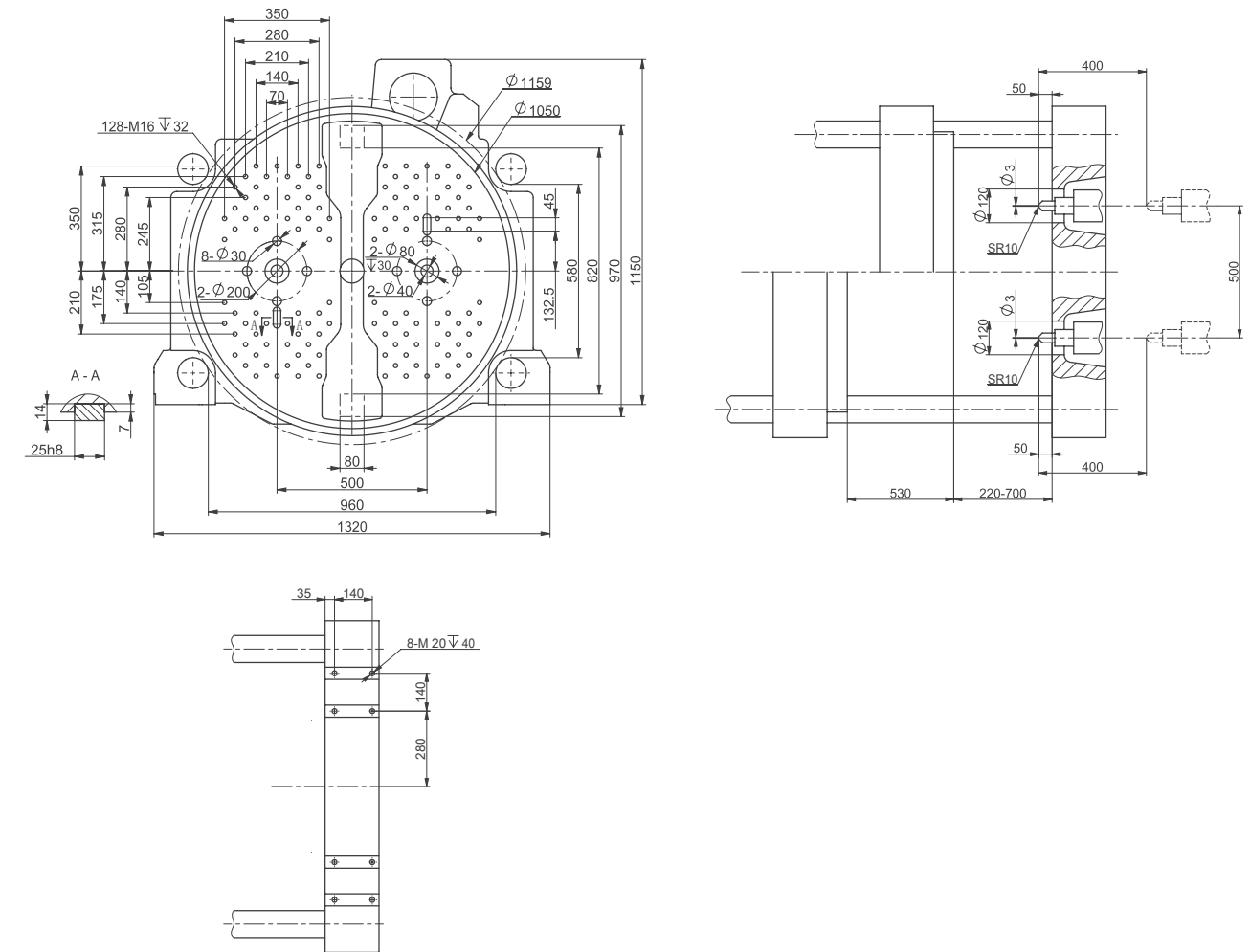
Machine Dimensions



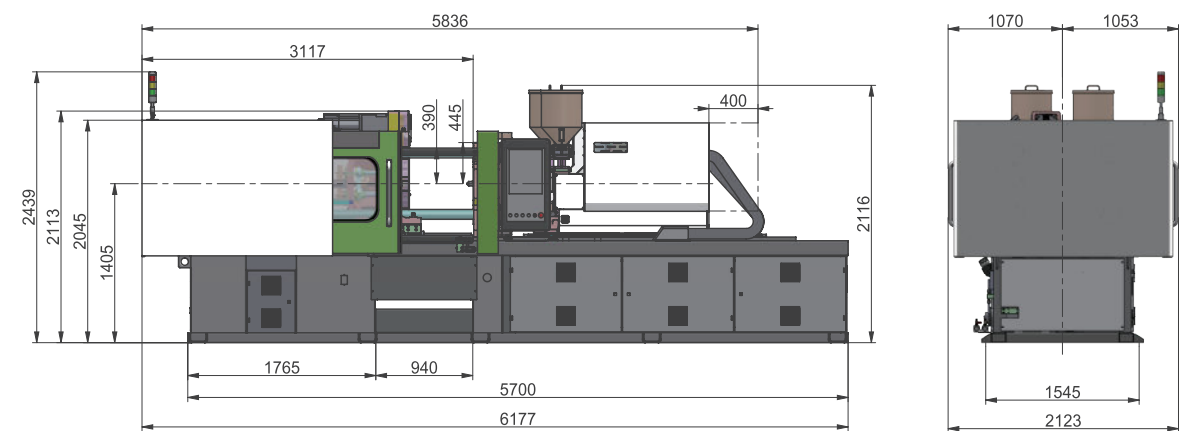
Specifications of UN280CE-BTP

DESCRIPTION		UN280CE-BTP																	
		INJECTION UNIT																	
		Combination 1						Combination 2						Combination 3					
Model	UNIT	IU430/IU430h			IU200/IU200h			IU320/IU320h			IU200/IU200h			IU320/IU320h			IU170/IU170h		
		A	B	C	A	B	C	A	B	C	A	B	C	A	B	C	A	B	C
Screw diameter	mm	35	40	43	26	30	35	30	35	40	26	30	35	30	35	40	22	26	30
Screw L/D ratio	L/D	24	20	20	22	22	20	24	20	20	22	22	20	24	20	20	22	22	22
Screw stroke	mm	170			140			165			140			165			115		
S/D ratio	S/D	4.9	4.3	4.0	5.4	4.7	4.0	5.5	4.7	4.1	5.4	4.7	4.0	5.5	4.7	4.1	5.2	4.4	3.8
Theoretical shot volume	cm ³	164	214	247	74	99	135	117	159	207	74	99	135	117	159	207	44	61	81
Shot weight (PS)	gram	150	197	227	68	91	124	107	146	191	68	91	124	107	146	191	40	56	75
Injection pressure	MPa	261	200	173	266	200	147	272	200	153	266	200	147	272	200	153	377	270	203
Holding pressure	MPa	209	160	138	213	160	118	218	160	123	213	160	118	218	160	123	302	216	162
Injection speed (standard/optional)	mm/s	200/300			200/350			200/350			200/350			200/350			200/350		
Injection rate (standard/optional)	cm ³ /s	192	251	290	106	141	192	141	192	251	106	141	192	141	192	251	76	106	141
Screw speed	rpm	400			400			400			400			400			400		
Nozzle contact force	rpm	40			20			30			20			30			20		
Heating power	kW	8.97			5.6	6.9	7.5	6.9	6.9	7.8	5.6	6.9	7.5	6.9	6.9	7.8	4.4	5.6	6.9
		CLAMPING UNIT																	
Clamping force	kN	2800																	
Opening stroke	mm	530																	
Mold thickness	mm	220-700																	
Max. turning diameter	mm	1159 (Turntable diameter: 1050)																	
Turntable bearing capacity	t	1.6																	
Distance between centers of mold locating holes	mm	500 (Optional: 490)																	
Space between tie bars	mm	960×580																	
Ejector stroke	mm	150																	
Ejector force	kN	42×2																	
		GENERAL																	
Max. system pressure	MPa	16																	
Motor power	kW	10																	
Machine dimensions (L×W×H)	m	6.18×2.12×2.44																	
Machine weight	t	15.1						15						14.6					
Hopper capacity	kg	25	25	25	25	25	25	25	25	25	25	25	25	25	25	25	25	25	25
Oil Tank capacity	L	106																	

Platen Dimensions



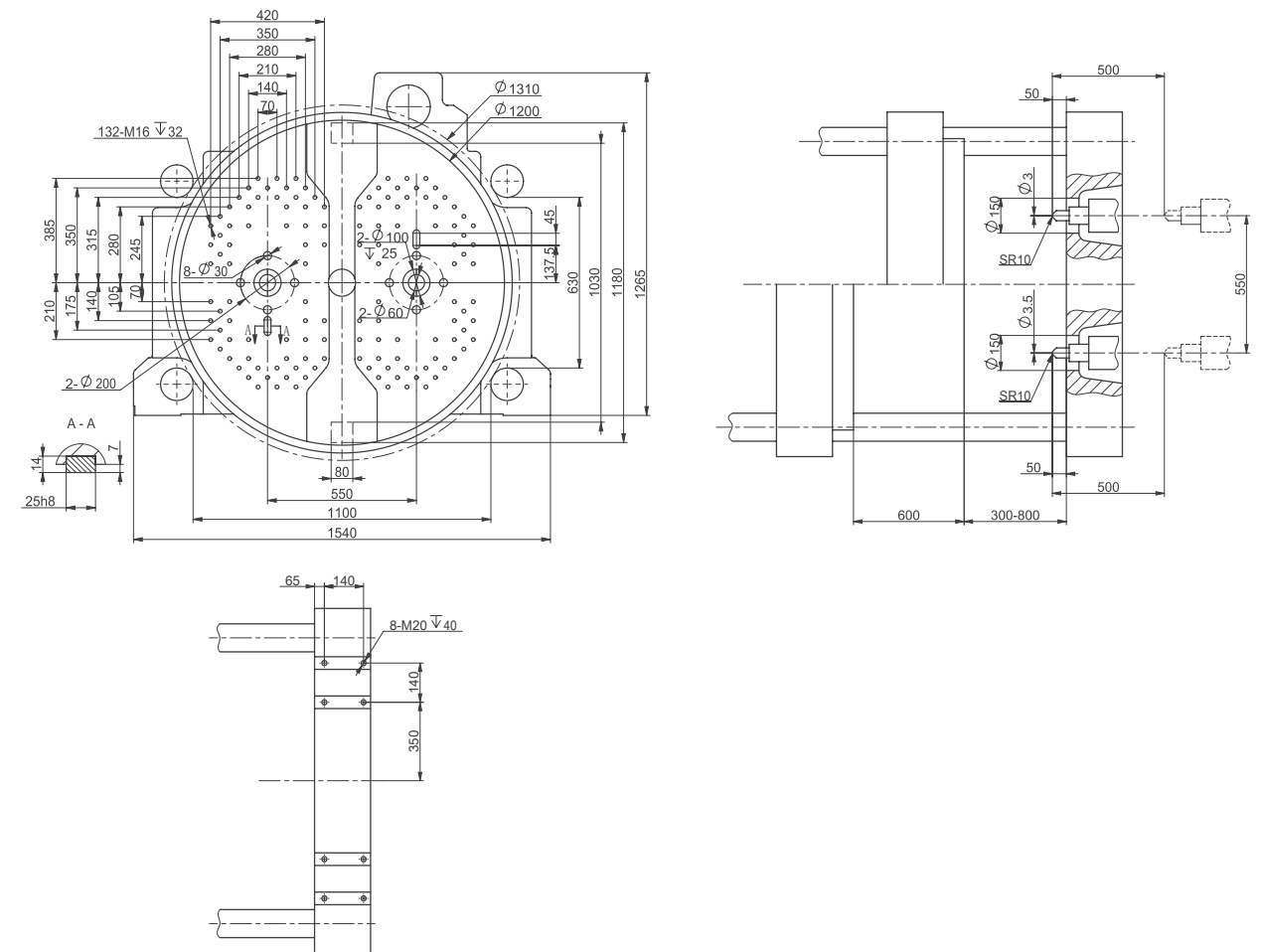
Machine Dimensions



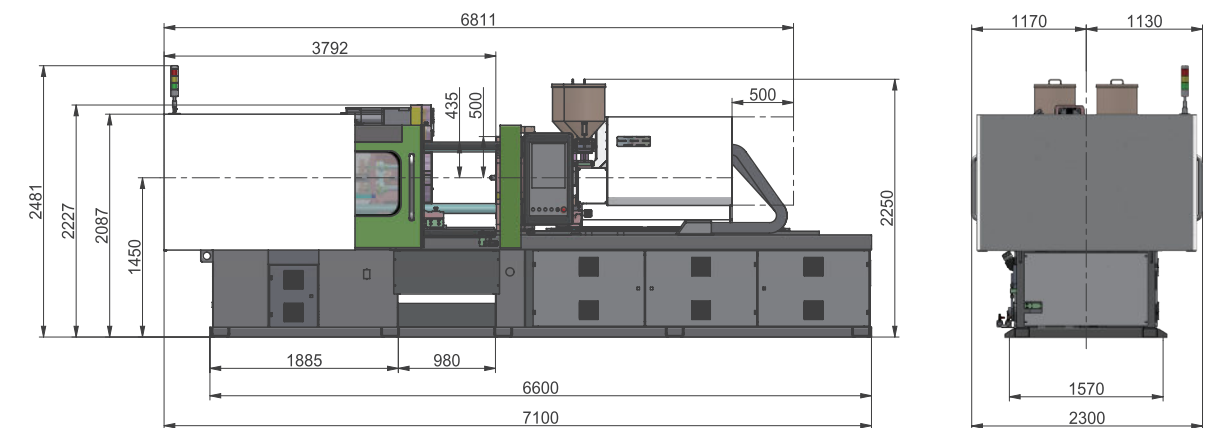
Specifications of UN400CE-BTP

DESCRIPTION		UN400CE-BTP																	
		INJECTION UNIT																	
		Combination 1						Combination 2						Combination 3					
Model	UNIT	IU1350			IU430/IU430h			IU930			IU320/IU320h			IU670/IU670h			IU320/IU320h		
		A	B	C	A	B	C	A	B	C	A	B	C	A	B	C	A	B	C
Screw diameter	mm	53	60	68	35	40	43	48	53	60	30	35	40	40	48	53	30	35	40
Screw L/D ratio	L/D	22.6	20	20	24	20	20	22	20	20	24	20	20	22.3	20	20	24	20	20
Screw stroke	mm	265			170			235			165			205			165		
S/D ratio	S/D	5.0	4.4	3.9	4.9	4.3	4.0	4.9	4.4	3.9	5.5	4.7	4.1	5.1	4.3	3.9	5.5	4.7	4.1
Theoretical shot volume	cm ³	585	749	962	164	214	247	425	518	664	117	159	207	258	371	452	117	159	207
Shot weight (PS)	gram	538	689	885	150	197	227	391	477	611	107	146	191	237	341	416	107	146	191
Injection pressure	MPa	231	180	140	261	200	173	219	180	140	272	200	153	259	180	148	272	200	153
Holding pressure	MPa	185	144	112	209	160	138	176	144	112	218	160	123	207	144	118	218	160	123
Injection speed (standard/optional)	mm/s	160			200/300			160			200/350			160/250			200/350		
Injection rate (standard/optional)	cm ³ /s	353	450	581	192	251	290	290	353	452	141	192	251	201	290	353	141	192	251
Screw speed	rpm	300			400			320			400			350			400		
Nozzle contact force	rpm	60			40			60			30			40			30		
Heating power	kW	16.5	18.9		8.97			13.7	16.8		6.9	7.8		9.8	10.9	12.1	6.9		7.8
		CLAMPING UNIT																	
Clamping force	kN	4000																	
Opening stroke	mm	600																	
Mold thickness	mm	220-800																	
Max. turning diameter	mm	1310 (Turntable diameter: 1200)																	
Turntable bearing capacity	t	3.2																	
Distance between centers of mold locating holes	mm	550 (Optional: 560)																	
Space between tie bars	mm	1100×630																	
Ejector stroke	mm	150																	
Ejector force	kN	110×2																	
		GENERAL																	
Max. system pressure	MPa	17.5																	
Motor power	kW	25																	
Machine dimensions (L×W×H)	m	7.1×2.3×2.48																	
Machine weight	t	20.1						19.4						19					
Hopper capacity	kg	50		25			50		25			25		25			25		25
Oil Tank capacity	L	189																	

Platen Dimensions



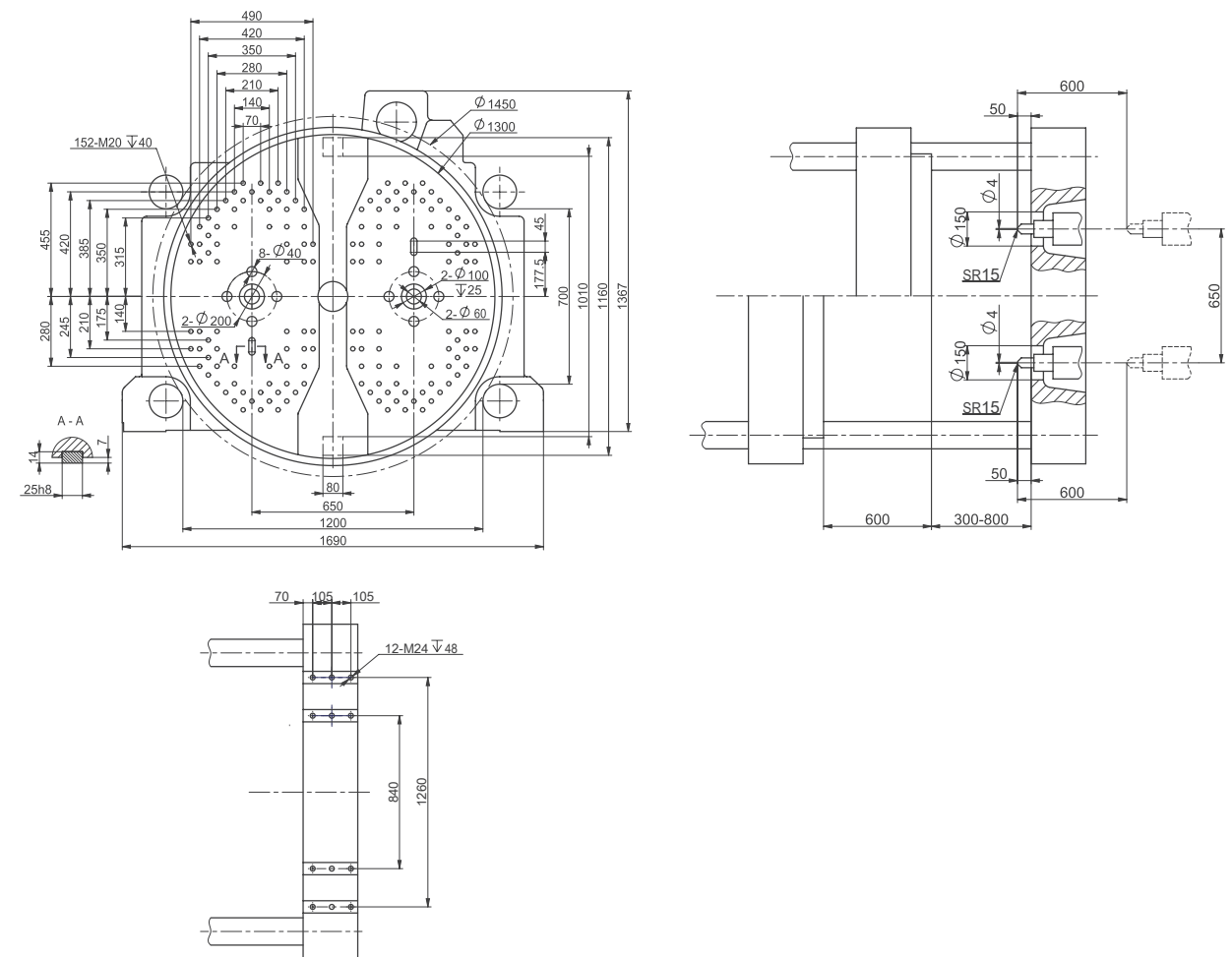
Machine Dimensions



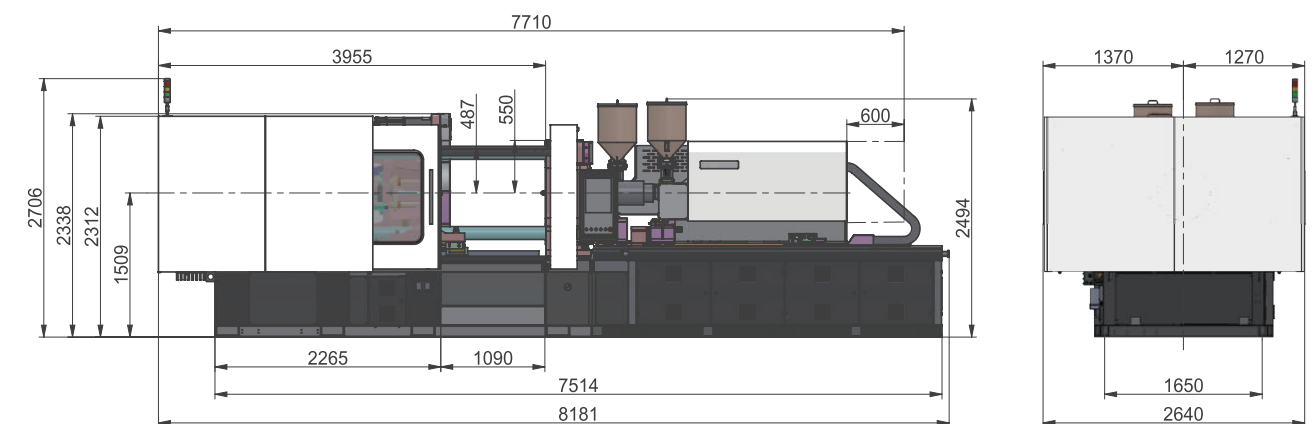
Specifications of UN550CE-BTP

DESCRIPTION		UN550CE-BTP																	
		INJECTION UNIT																	
		Combination 1						Combination 2						Combination 3					
Model	UNIT	IU1350			IU430/IU430h			IU930			IU320/IU320h			IU670/IU670h			IU320/IU320h		
		A	B	C	A	B	C	A	B	C	A	B	C	A	B	C	A	B	C
Screw diameter	mm	53	60	68	35	40	43	48	53	60	30	35	40	40	48	53	30	35	40
Screw L/D ratio	L/D	22.6	20	20	24	20	20	22	20	20	24	20	20	22.3	20	20	24	20	20
Screw stroke	mm	265			170			235			165			205			165		
S/D ratio	S/D	5.0	4.4	3.9	4.9	4.3	4.0	4.9	4.4	3.9	5.5	4.7	4.1	5.1	4.3	3.9	5.5	4.7	4.1
Theoretical shot volume	cm ³	585	749	962	164	214	247	425	518	664	117	159	207	258	371	452	117	159	207
Shot weight (PS)	gram	538	689	885	150	197	227	391	477	611	107	146	191	237	341	416	107	146	191
Injection pressure	MPa	231	180	140	261	200	173	219	180	140	272	200	153	259	180	148	272	200	153
Holding pressure	MPa	185	144	112	209	160	138	176	144	112	218	160	123	207	144	118	218	160	123
Injection speed (standard/optional)	mm/s	160			200/300			160			200/350			160/250			200/350		
Injection rate (standard/optional)	cm ³ /s	353	450	581	192	251	290	290	353	452	141	192	251	201	290	353	141	192	251
Screw speed	rpm	300			400			320			400			350			400		
Nozzle contact force	rpm	60			40			60			30			40			30		
Heating power	kW	16.5	18.9		8.97			13.7	16.8		6.9	7.8		9.8	10.9	12.1	6.9		7.8
		CLAMPING UNIT																	
Clamping force	kN	5500																	
Opening stroke	mm	600																	
Mold thickness	mm	300-800 (Optional: 900/1000/1100)																	
Max. turning diameter	mm	1450 (Turntable diameter: 1300)																	
Turntable bearing capacity	t	3.3																	
Distance between centers of mold locating holes	mm	650 (Optional: 630)																	
Space between tie bars	mm	1200×700																	
Ejector stroke	mm	160																	
Ejector force	kN	110×2																	
		GENERAL																	
Max. system pressure	MPa	17.5																	
Motor power	kW	25																	
Machine dimensions (L×W×H)	m	8.18×2.64×2.71																	
Machine weight	t	32.1						31.2						31.1					
Hopper capacity	kg	50		25			50		25			25			25				25
Oil Tank capacity	L	189																	

Platen Dimensions



Machine Dimensions



	Standard	Optional
CLAMPING UNIT		
High-rigidity platen with balanced force (BFC technology)	●	
TBF (Tie Bar Free) technology	●	
Electrical servo turntable	●	
MDP (Micro Distance Popup) technology	●	
Turntable water circuit (1 set for 160T, 2 sets for 230-550T, 1 in & 2 out for each set)	●	
Euromap robot mounting hole (on the top of fixed platen)	●	
Mechanical / electrical safety devices	●	
Automated central lubrication system	●	
Low pressure mold protection (Ai highly-sensitive mold protection)	●	
One-button automatic mold height adjustment	●	
Safety edges for machine gates	●	
Linear guide for movable platen	●	
Hydraulic ejector	●	
Synchronous ejection during mold opening function	●	
Multi-stage ejector forward	●	
Ejector motion delay	●	
Ejector motion selection (4 modes)	●	
3-stage ejector control	●	
5-stage mold opening and closing control	●	
Slope control for mold opening and closing (high, medium and low modes)	●	
Confirmation signal of ejector plate reset connected to turntable	●	
Electric safety door		○
10-pin electrical connector for turntable		○
Multiple sets of air blow		○
Multiple hydraulic core-pull on fixed platen (or turntable)		○
Magnetic platen		○
Mold thermal insulation		○
Electrical servo rotary shaft		○
Integrated module of turntable and rotary shaft		○
Increased maximum daylight		○
Smart clamping force management function		○
Electric ejector		○
Various locating rings		○
INJECTION UNIT		
Combination of multiple modular injection units	●	
Energy-saving groove design of barrel (patented design)	●	
Multi-stage PID temperature control	●	
Feed port closed-loop temperature detection	●	
Temperature holding	●	
Temperature optimization	●	
Appointed temperature rise	●	
Compulsory barrel heating protection	●	
Screw cold start prevention	●	
Automatic purging	●	
Calibration of injection pressure zero point	●	
Real-time display of plasticizing speed	●	
Real-time display of plasticizing back pressure	●	
Injection unit shift settings (switch check, shift time)	●	
High-force nozzle contact device (configurable)	●	
Nozzle center alignment adjusting device	●	
Sliding hopper	●	
Screw speed detection	●	
Fully-closed heat retaining cover	●	
Linear guide rail for carriage	●	
5-stage injection control (pressure, speed, position)	●	
3-stage holding pressure control (pressure, speed, position)	●	
3-stage plasticizing control (back pressure, speed, position)	●	
Suck-back control (pre-suckback and post-suckback)	●	
Holding pressure switching (6 modes)	●	
Injection speed response setting (High, medium, low)	●	
Mold opening during plasticizing	●	
Central lubrication system	●	
High-mix non-stick plasticizing screw		○
Three-component and multi-component injection molding		○

	Standard	Optional
Barrel unit for TPE		○
Barrel unit for TPU		○
Barrel unit for PC		○
Barrel unit for LSR		○
Special or adjustable mold locating hole center distance		○
Ceramic heater band		○
Infrared heater band		○
Nano thermal insulation function		○
Spring shut-off nozzle		○
Extended nozzle		○
Customized nozzle head		○
CONTROL SYSTEM		
Turntable digital closed-loop positioning control (DCPC technology)	●	
Turntable protection against power outage	●	
Non-return-to-zero turntable	●	
Logic control of multiple injection units	●	
Data upload and download via USB	●	
Rat-proof electric wire	●	
Multi-level software password authentication for data protection	●	
Interlock for turntable and safety door	●	
Protection against over-high oil temperature	●	
Emergency stop function (on both operator side and non-operator side)	●	
Electrical protection of nozzle purge guard	●	
Product quality monitoring	●	
Statistical process control (SPC)	●	
Synchronous injection signal	●	
Multiple language (Chinese and English)	●	
15" TFT true color LED HD touch screen	●	
Production management	●	
Tri-color alarm light	●	
Alarm buzzer	●	
Metric and English unit conversions	●	
I/O check display function	●	
Curves of mold opening/closing and ejector	●	
Injection processing curve monitoring	●	
1 set of standard USB interface on the operation panel	●	
Power outlet (220V×1)	●	
Power outlet (380V, 16A×2+32A×1)	●	
Euromap 12 plug for robot	●	
Intelligent weight control function	●	
Injection compression function	●	
Euromap 67 plug for robot		○
Core pull and ejector setting in controller		○
Integrated hot runner control		○
Mold temperature display and control		○
Electrical interface for gas assisted injection		○
Sequential valve		○
Air-assisted injection device		○
Display of machine energy consumption statistics		○
Central (networking) monitoring system		○
Protective light grid of safety gates		○
Synchronous plasticizing signal		○
Changing power supply voltage		○
21" LED HD display		○
Multiple operating languages		○
OTHERS		
Operation manual	●	
Adjustable leveling pad	●	
A tool kit, spare parts	●	
Mold mounting screw	●	
Stainless steel hopper		○
Mold clamp		○
Auto loader		○
Glass tube flowmeter		○
Dryer		○

Disclaimer:
 1. The company reserves the right make changes and improvements to any product described herein without prior notice.
 2. The product images used in the sample are for reference only, which are subject to the actual products.
 3. The data used in the sample are derived from YIZUMI's laboratory tests. The right of final interpretation of the data resides with YIZUMI.

YIZUO

THINK
TECH FORWARD